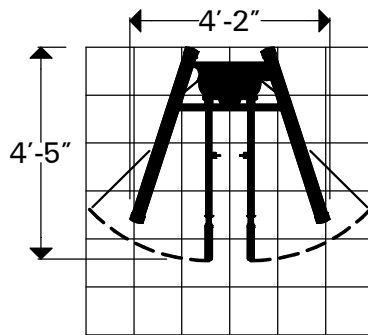


VECTRA[®]

SCALE: 1/4"=1'



BRT

BRT MACHINE HEIGHT UP TO 7'5"
7'10" INCLUDING HEAD CLEARANCE NEEDED FOR PULL-UP EXERCISE